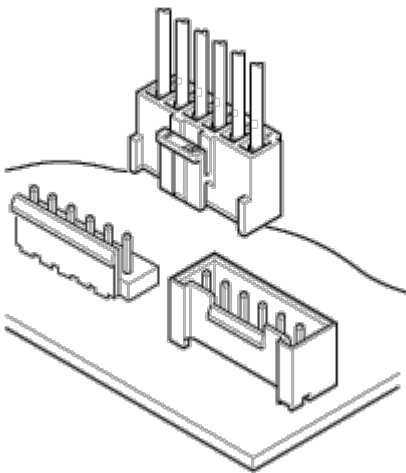


Connectors (Electronic Circuits)

JST

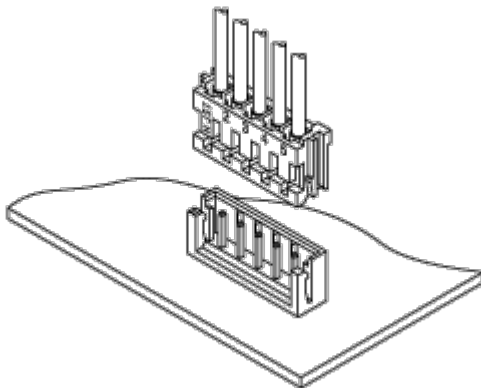
Wire to Board

VH



- pin pitch; 3.96mm (0.156in)
- Current; 10A
- Voltage; 250V
- AWG; 22 ~ 16
- Lock
- <http://www.jst-mfg.com/product/pdf/eng/eVH.pdf>

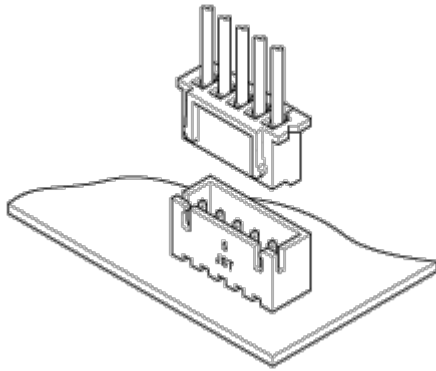
EH



- pin pitch; 2.50 mm(0.098 in)
- Current; 3A
- Voltage; 250V

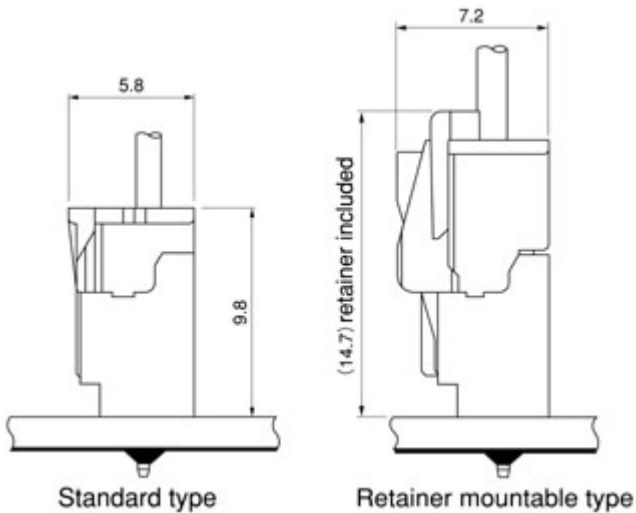
- AWG; 30 ~ 22
- No Lock
- <http://www.jst-mfg.com/product/pdf/eng/eEH.pdf>

XH

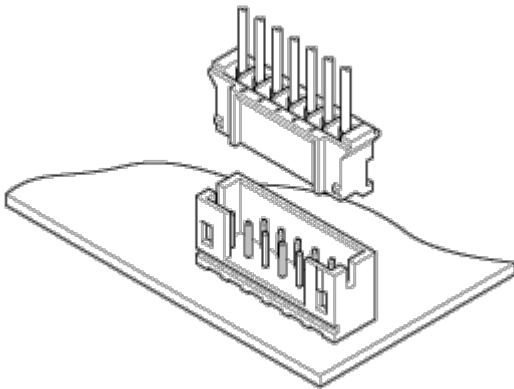


- pin pitch; 2.50 mm(0.098 in)
- Current; 3A
- Voltage; 250V
- AWG; 32 ~ 22
- No Lock
- <http://www.jst-mfg.com/product/pdf/eng/eXH.pdf>

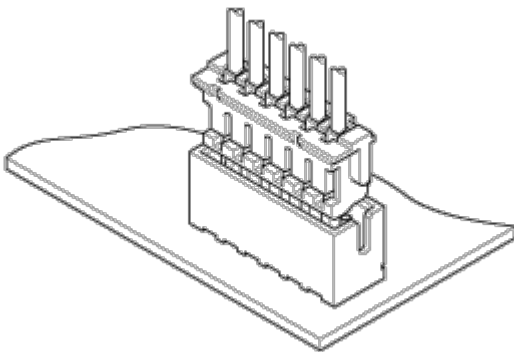
PA



- pin pitch; 2.00 mm(0.079 in)
- Current; 3A
- Voltage; 250V
- AWG; 28 ~ 22
- Lock
- <http://www.jst-mfg.com/product/pdf/eng/ePA-F.pdf>

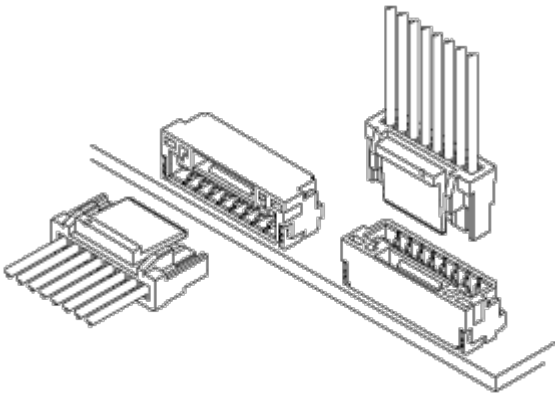
PH

- pin pitch; 2.00 mm(0.079 in)
- Current; 2A
- Voltage; 100V
- AWG; 32 ~ 24
- No Lock
- <http://www.jst-mfg.com/product/pdf/eng/ePH.pdf>

ZH

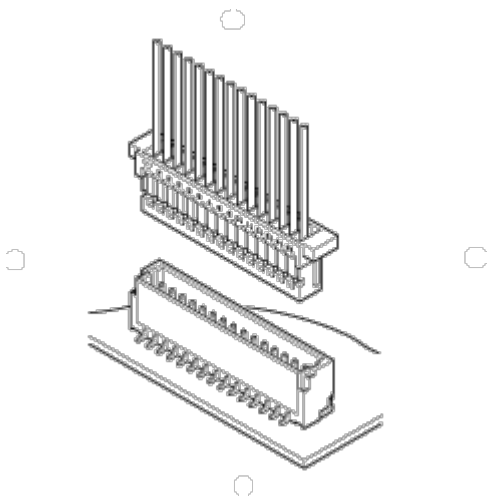
- pin pitch; 1.50 mm(0.059 in)
- Current; 1A
- Voltage; 50V
- AWG; 32 ~ 26
- No Lock
- <http://www.jst-mfg.com/product/pdf/eng/eZH.pdf>

GH



- pin pitch; 1.25 mm(0.049 in)
- Current; 1A
- Voltage; 50V
- AWG; 30 ~ 26
- Lock
- <http://www.jst-mfg.com/product/pdf/eng/eGH.pdf>

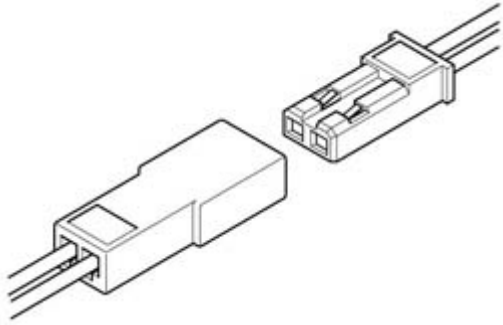
SH



- pin pitch; 1.00 mm(0.039 in)
- Current; 1A
- Voltage; 50V
- AWG; 32 ~ 28
- No Lock
- <http://www.jst-mfg.com/product/pdf/eng/eSH.pdf>

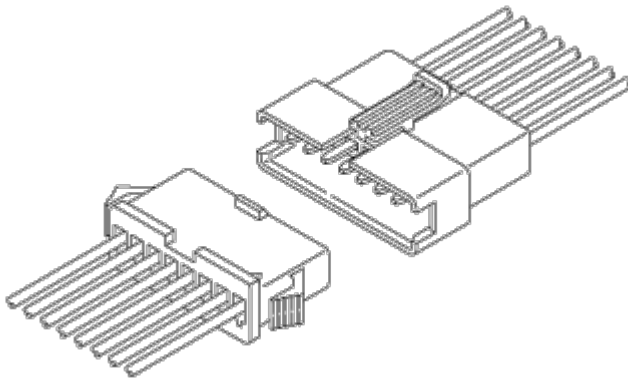
Wire to Wire

RCY



- pin pitch; 2.50 mm(0.098 in)
- Current; 3A
- Voltage; 250V
- AWG; 28 ~ 22

SM



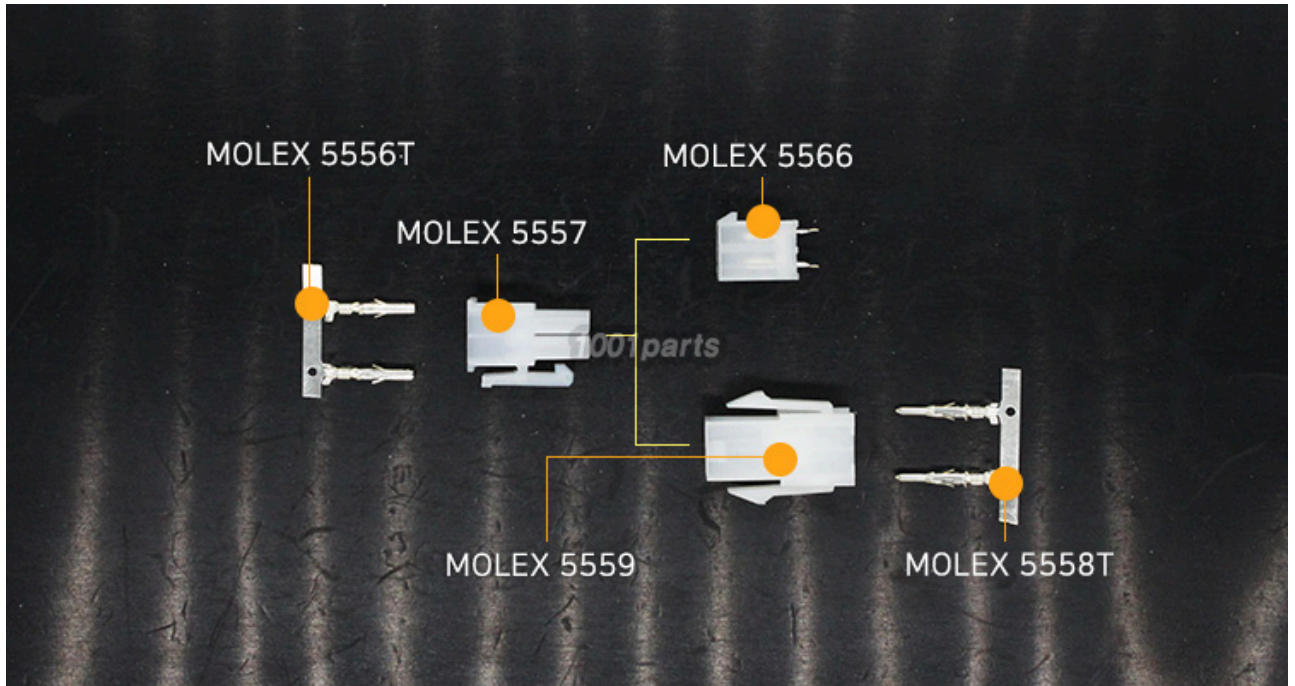
- pin pitch; 2.50 mm(0.098 in)
- Current; 3A
- Voltage; 250V
- AWG; 28 ~ 22

MOLEX

5264, 5267, 5268, 5263, CHB0640, YMH025

- Pitch : 2.50mm
- Hole size: 0.9mm
- Wire Size: AWG #22~#28
- 대응되는 커넥터: MOLEX 5267-02AX(Straight), MOLEX 5268-02A(Angle)
- 대응되는 터미널: MOLEX 5263PBT9
- 대체되는 커넥터: 한림 커넥터 CHB0640-02, 연호 커넥터 YMH025-02 대체가능

5557, 5566, 5556T, 5559, 5558T



- PC Power Supply

43025, 43020, 43030, 45773, 43031

- Receptacle;
 - Housing 43025,
 - Crimp terminal; 43030, 45773
- Plug;
 - Housing 43020,
 - Crimp Terminal 43031
- Kingroon KP3S Pro V2 - THR Board Cable (43025)

References

- [JST 커넥터 시리즈 종류별 정리! \[JST / VH / EH / XH / PA / ZH / GH / SH / 배터리 / 커넥터\]](#)
[@blog.naver.com](#) DIY 메카솔루션 오픈랩

From:
<http://www.theta5912.net/> - reth

Permanent link:
<http://www.theta5912.net/doku.php?id=public:others:connectors>

Last update: **2024/01/15 16:31**

