

ESP32

ESP-IDF

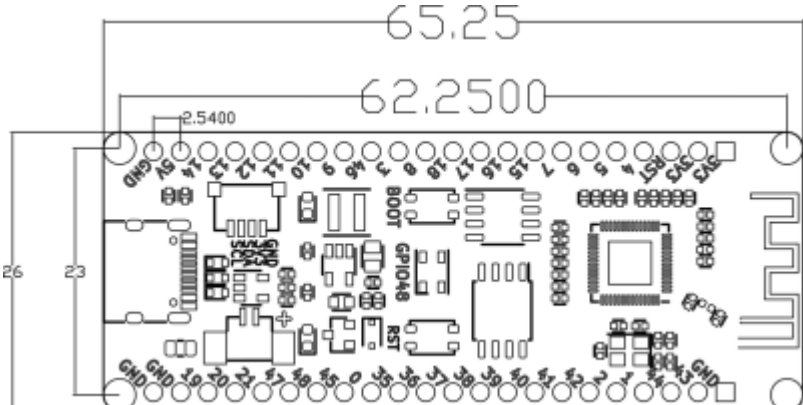
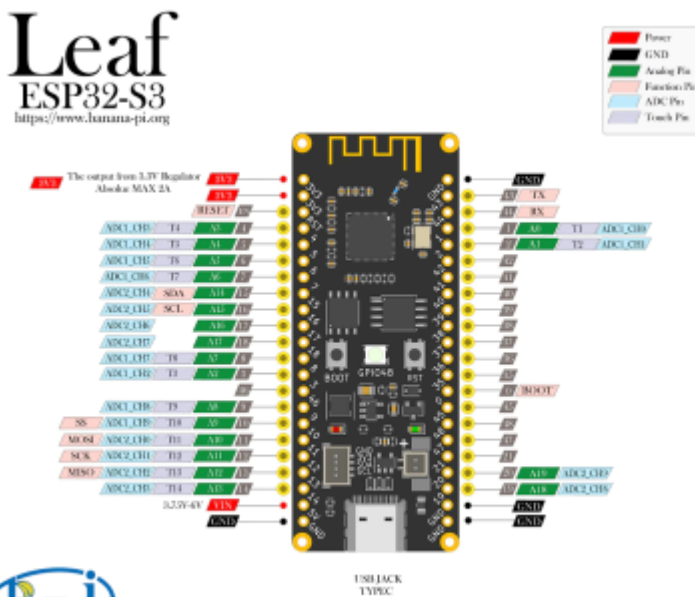
1. Install vscode
 1. Install ESP-IDF extension
2. Install git

```
1. $ brew install git
```

3. Install Python, Download at <https://www.python.org/downloads/>

Standard Setup of Toolchain for Mac OS

Banana Pi ESP32 S3 (BPI-Leaf-S3)



- 바나나 파이 리프 ESP32 S3 실행 가능한 Micropython 저전력 에너지 절약 마이크로 컨트롤러, IoT 개발을 위해 설계 @aliexpress.com

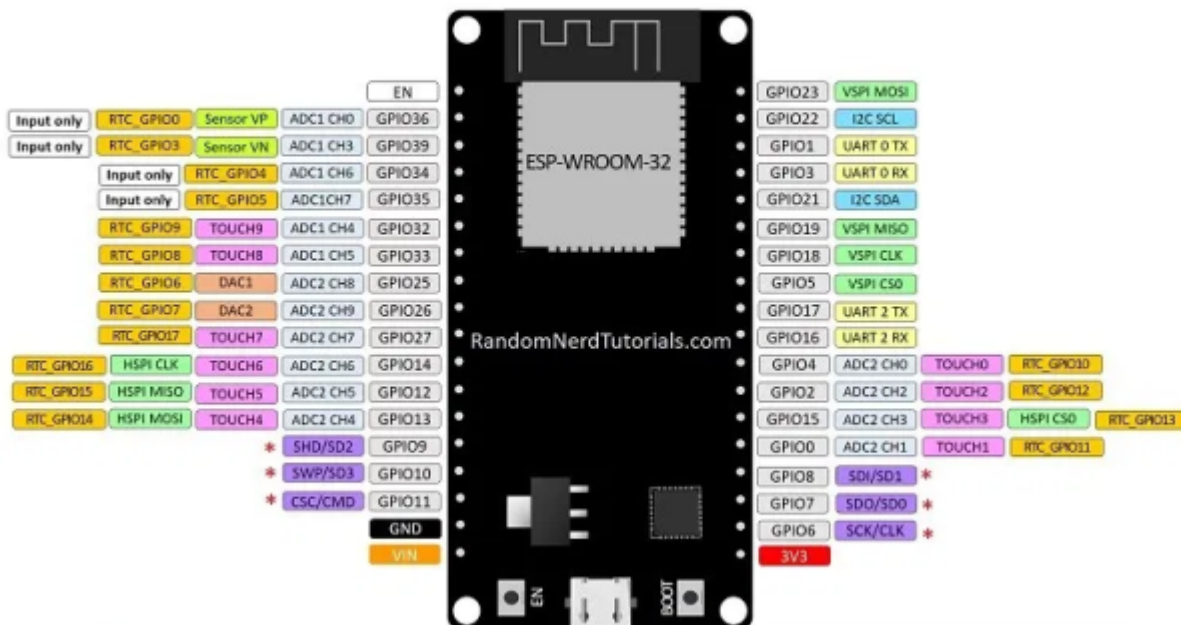
- [BPI-Leaf-S3](#)
- 1 * JST SH 1mm 4-Pin Socket, support I2C
- 1 * MX 1.25mm 2-Pin Socket support charging

TTGO T-DISPLAY

- 2 pin JST SH 1.0 connector.

PINS

ESP32 DEVKIT V1 – DOIT version with 36 GPIOs



* Pins SCK/CLK, SDO/SD0, SDI/SD1, SHD/SD2, SWP/SD3 and SCS/CMD, namely, GPIO6 to GPIO11 are connected to the integrated SPI flash integrated on ESP-WROOM-32 and are not recommended for other uses.

