

ESP32

ESP-IDF

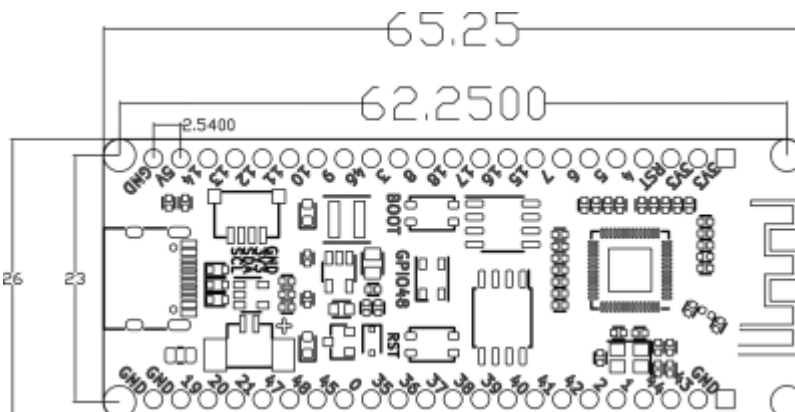
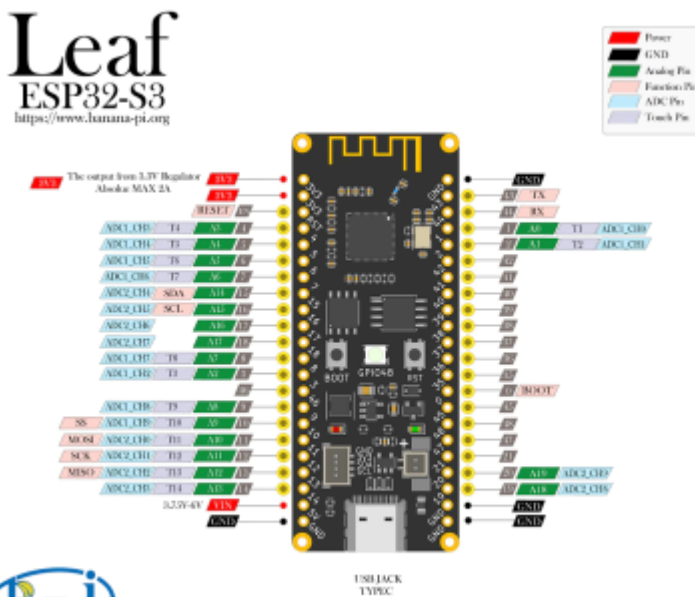
1. Install vscode
 1. Install ESP-IDF extension
2. Install git

```
1. $ brew install git
```

3. Install Python, Download at <https://www.python.org/downloads/>

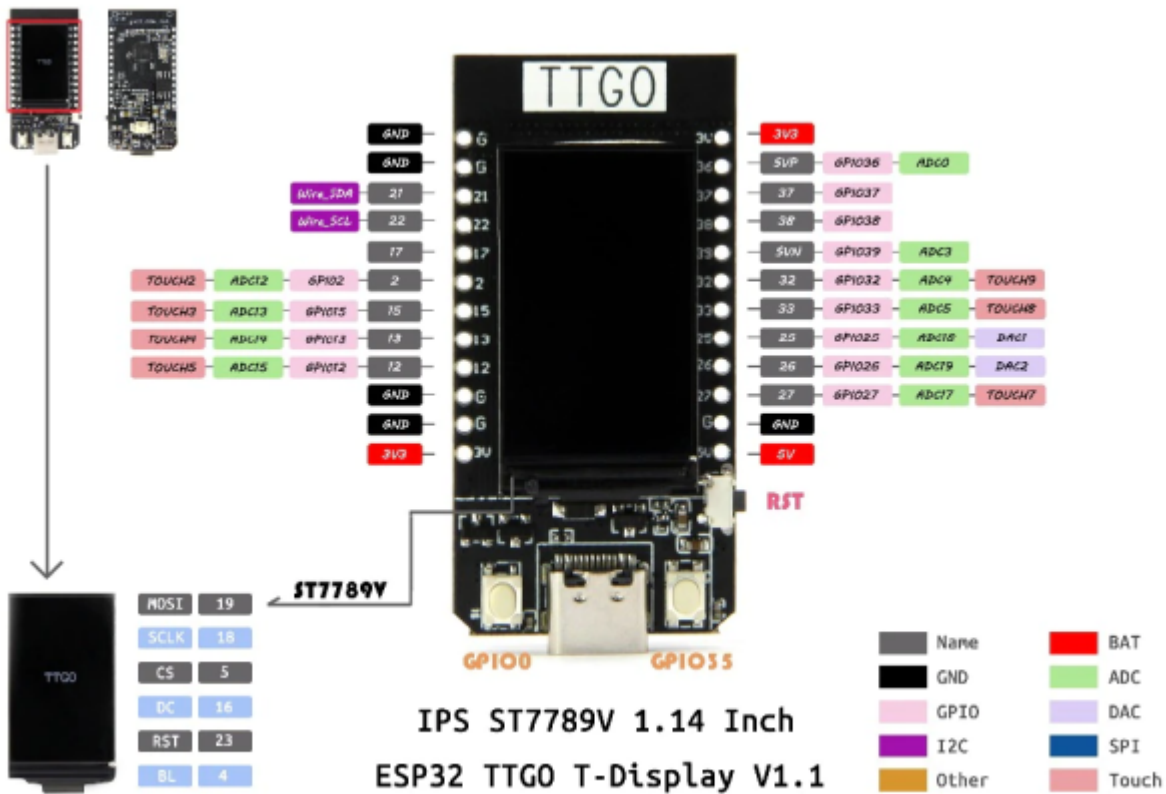
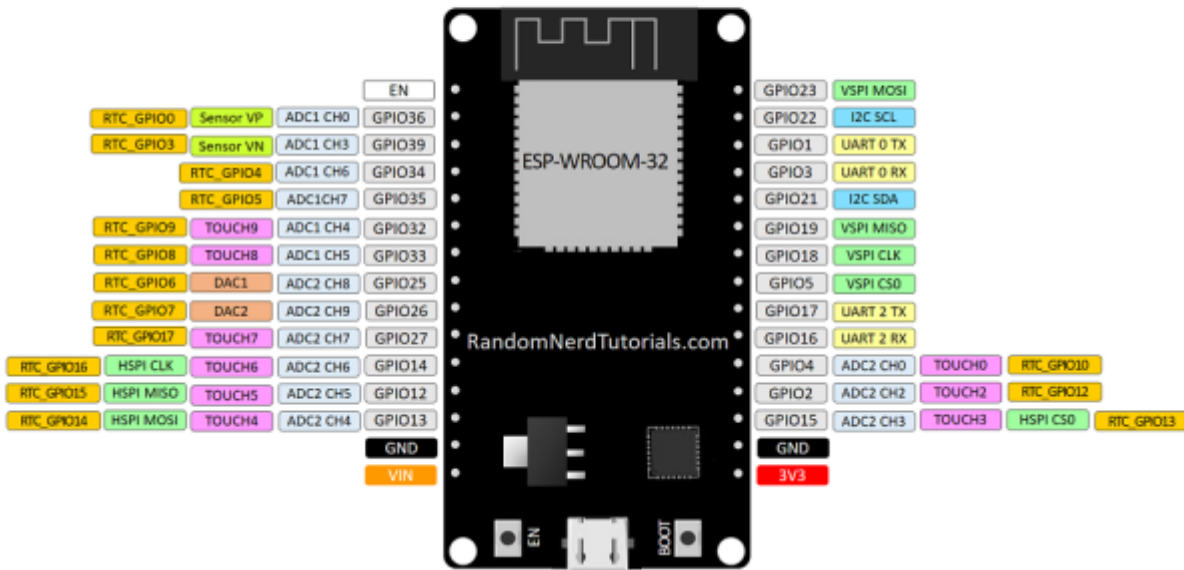
Standard Setup of Toolchain for Mac OS

Banana Pi ESP32 S3 (BPI-Leaf-S3)



- 바나나 파이 리프 ESP32 S3 실행 가능한 Micropython 저전력 에너지 절약 마이크로 컨트롤러, IoT 개발을 위해 설계 @aliexpress.com

ESP32 DEVKIT V1 - DOIT version with 30 GPIOs



From:
<http://www.theta5912.net/> - reth

Permanent link:
<http://www.theta5912.net/doku.php?id=public:computer:esp32&rev=1666274369>

Last update: 2022/10/20 22:59

