

# ESP32

## ESP-IDF

1. Install vscode
  1. Install ESP-IDF extension
2. Install git

```
1. $ brew install git
```

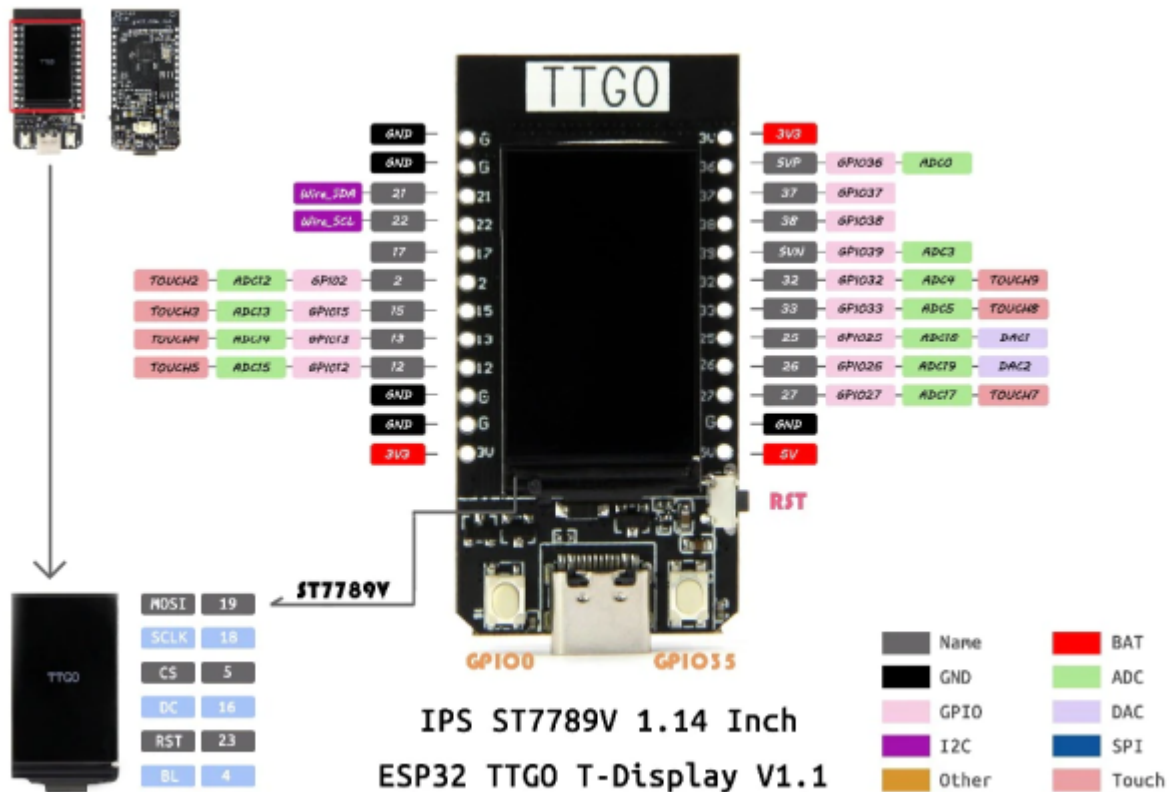
3. Install Python, Download at <https://www.python.org/downloads/>

Standard Setup of Toolchain for Mac OS

## TTGO T-DISPLAY

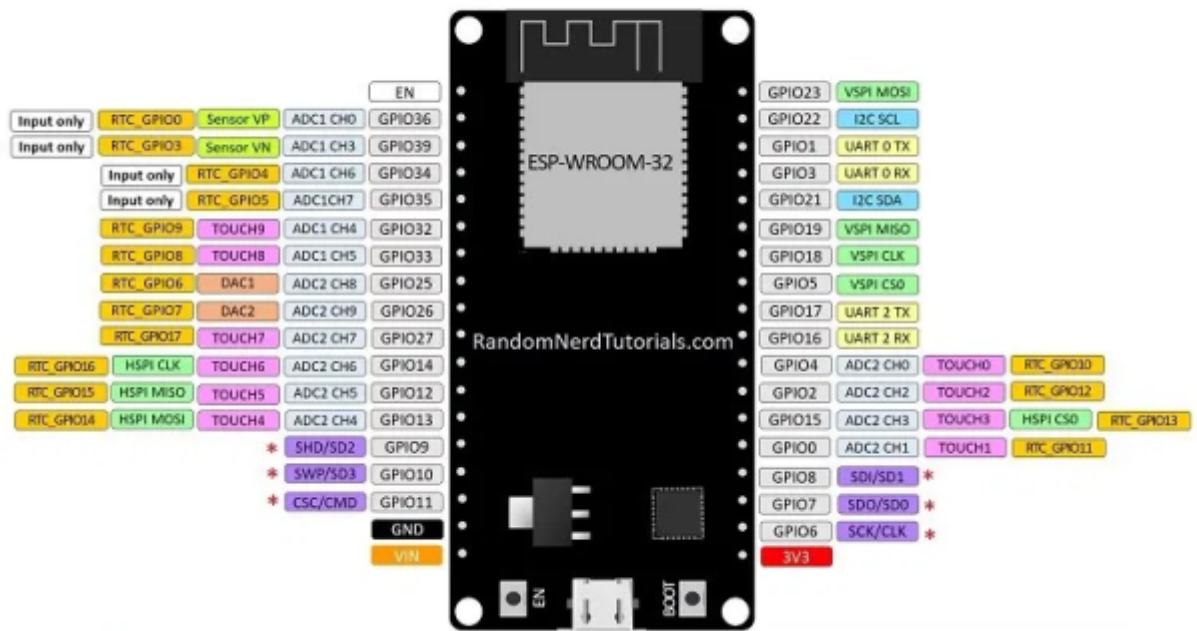
- 2 pin JST SH 1.0 connector.

## PINS



# ESP32 DEVKIT V1 – DOIT

version with 36 GPIOs



\* Pins SCK/CLK, SDO/SD0, SDI/SD1, SHD/SD2, SWP/SD3 and SCS/CMD, namely, GPIO6 to GPIO11 are connected to the integrated SPI flash integrated on ESP-WROOM-32 and are not recommended for other uses.

From:

<http://www.theta5912.net/> - reth

Permanent link:

<http://www.theta5912.net/doku.php?id=public:computer:esp32&rev=1654757400>

Last update: 2022/06/09 15:50

